

2000 Series GlobalSolarHybrid™



Global Thermoelectric's S-2000 Series GlobalSolarHybrid™ provide photovoltaic based power solutions backed up by thermoelectric generators. The 2000 Series models are best suited for locations where the annual average daily radiation is 4 peak-sun hours or higher, roughly 0° to 40° latitude. The result is environmentally friendly, ultra reliable DC power for any application where regular utilities are unavailable or unreliable.

System Benefits:

- Environmentally Friendly
- Highly Reliable (99.9+%)
- Cost Effective

Standard Features:

- High Efficiency Multi-Crystal Photovoltaic Modules
- Sealed Valve Regulated Gelled Electrolyte Lead-Acid Batteries
- NEMA 3R Battery Box
- Autostart Thermoelectric Generator
- Intelligent System Control Electronics with Temperature Compensation

System Includes

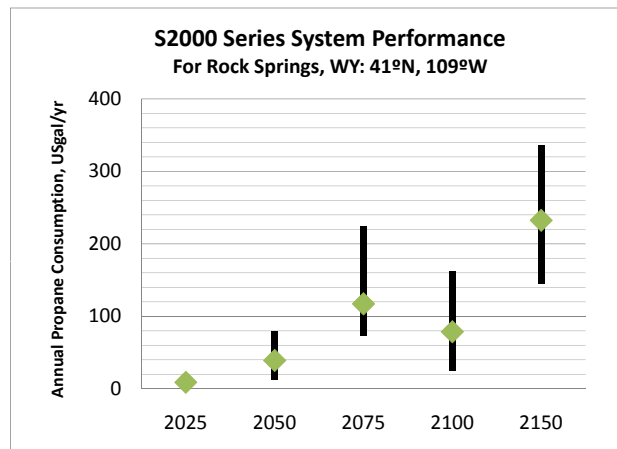
- PV Modules
- TEG and TEG Mount
- PV Mounts and Poles
- Control Electronics
- Batteries
- Interconnect Wiring
- Battery Box
- Manual



GlobalSolarHybrid™

	2025†	2050†	2075†	2100	2150
Max Continuous Load @ 24VDC	25W	50W	75W	100W	150W
PV Array (W)	270	540	540	810	1080
Battery Capacity (A.h @ C8)	200	400	600	800	1200
Generator Power (W)	54	54	100	100	175

†both 12VDC and 24 VDC versions available



System performance available for other locations upon request

Propane: Grade HD5
min 90% propane
max 5% propylene
max 250ppm total sulfur species

Natural Gas: 1000 BTU/Sft³ (37.7 MJ/Sm³) gas
max 7 mg/Sm³ (~5 ppm) H₂S
max 120 mg/Sm³ H₂O
max 1% free O₂

Max. Supply Pressure: 1724 kPa (250 psi)
Min. Supply Pressure: 103 kPa (15 psi)

Environmental

Ambient Operation Temperature: Max. 45°C (115°F) Min. -40°C (-40°F).

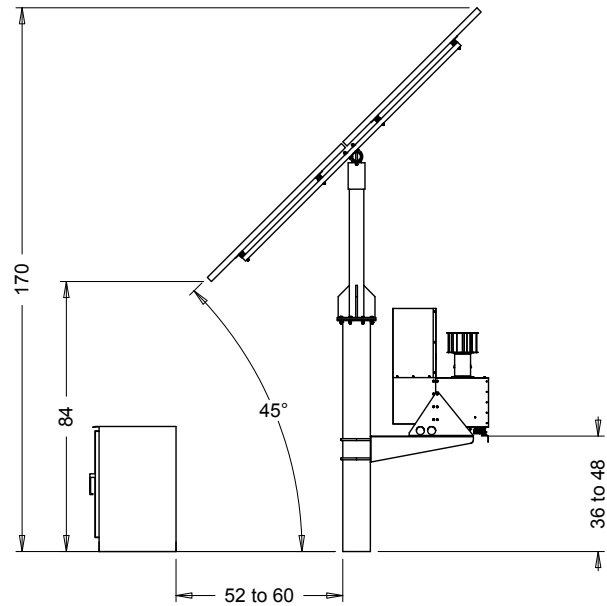
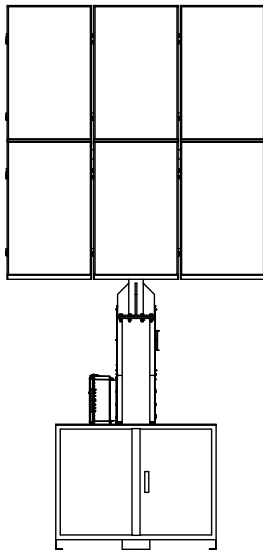
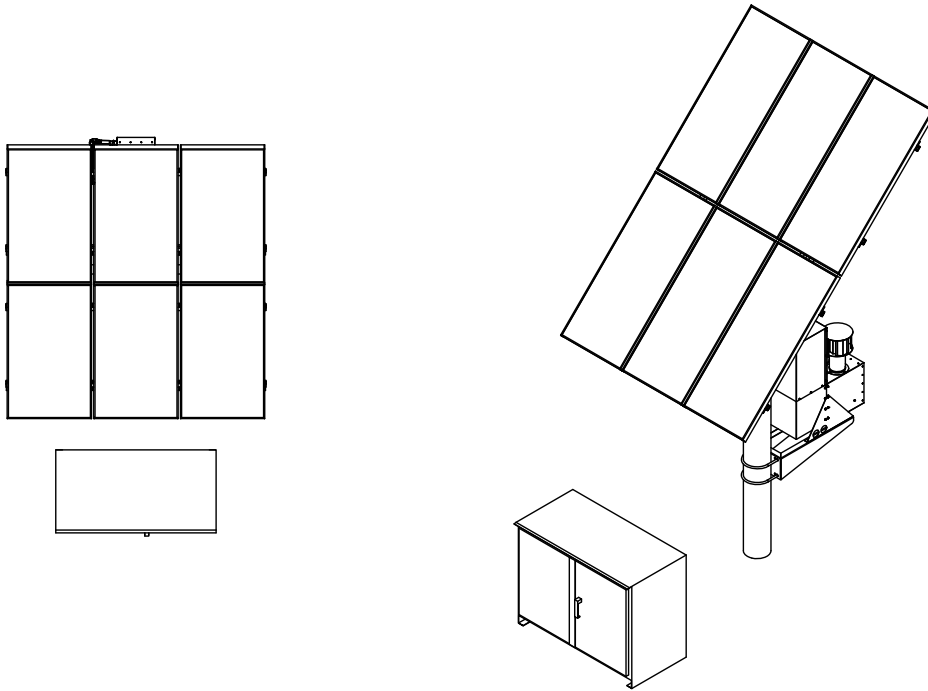
Operating Conditions: Unsheltered operation

Please contact Global for operating conditions below -40°C or above +45°C.

Rev 01-10



2100 System Layout



Power where you need it.

Corporate Office
9, 3700 - 78 Avenue SE
Calgary, Alberta T2C 2L8 CANADA
Phone: (403) 236-5556
Fax: (403) 236-5575
www.globalte.com

US Sales
P.O. Box 38624
Houston, TX 77238
Phone: (281) 445-1515
Fax: (281) 445-6060
Toll Free: 1 800 848-4113

2100 GlobalSolarHybrid™ Layout